

The **SD-1CHL rail-mounted dimmer** (1 channel) is a cutting-edge product of the **MASTER Smart Home** line, suitable for controlling lighting intensity using alternative types of lamps like Filament LED, Dimmable LED as well as older types of lamps (Halogen). The output power of the product can be expanded indefinitely by adding amplifiers thereby making any electrical application possible.

Adjust the lighting intensity, create an atmosphere and save energy, operating locally via buttons and remotely over internet or Wi-Fi using smartphone, tablet or PC with the **MASTER Smart Home** app.

This user manual will help you install the **MASTER Smart Home** app for Android or iOS and enjoy the “smart” lighting control functions.

Advantages

- Visualization, control and management of lighting with linear dimming
- User-friendly, easy-to-use interface
- Works with the Google Assistant voice commands
- Secure connection to Wi-Fi
- No hub/gateway is required
- Time-schedules
- Maximum economy and comfort with smart scenes
- Low implementation cost in existing or new installations
- Leading / Trailing Edge and Soft Start functions
- Setting of brightness lower limit

Technical Specifications

RAIL-MOUNTED DIMMER 1 MODULE	Digital (IGBT) - LED / 1 Channel
SAFE OPERATING VOLTAGE	180 - 230V AC
SAFE OPERATING FREQUENCY	50Hz
OUTPUT POWER	300W / R L C
OUTPUT POWER BOOST	The output power of the product can be expanded indefinitely by adding the amplifiers DM-CHL (rail) with output power 1000W / 230 VAC each.
STAND BY CONSUMPTION	≤ 1W
OPERATION TEMPERATURE	-20°C to +50°C
WIRE SIZE	∅ 0.5 mm to ∅ 3.5 mm
MOUNTING	Din-rail mounting 35x7.5mm (DIN 45277)
FUNCTION	Leading Edge - Trailing Edge (with the MASTER Smart Home app)
FUSE	Electronic (overheating and overvoltage protection with automatic reset to operation)
CONTROL	Local: With one or more parallel connected buttons - ON/OFF: with instant push - Dimming: with prolonged push Remote: With the MASTER Smart Home app for smartphones or tablets over Wi-Fi or Data

MASTER
Smart Home

RAIL-MOUNTED
DIMMER
1 CHANNEL

SD-1CHL



Works with
Google Assistant
voice commands



Electric Loads

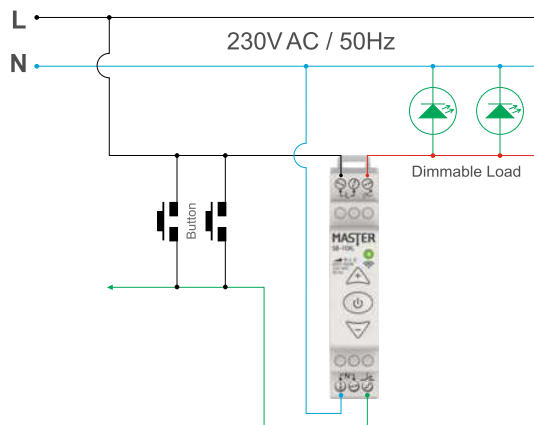
R	L	C / L			
RESISTIVE	INDUCTIVE	CAPACITIVE / INDUCTIVE			
			Economy	LED	Filament
300W max	300VA max	300VA max	300W max	300W max	300W max
1W min	1VA min	1VA min	1W min	1W min	1W min



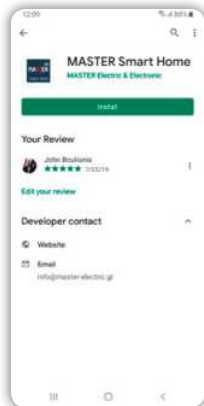
This product complies with the requirements of the following EU Directives:
2014/30/EE (EMC), 2014/35/EE (LVD)

This product should be disposed of in accordance with national laws and environmental protection requirements.

Draft of Electrical Installation



Create a User Account



Step 1



Step 2



Step 3

Download the «MASTER Smart Home» free app and create an account.

Step 1

Download the “MASTER Smart Home” application from Google Play or the App Store.

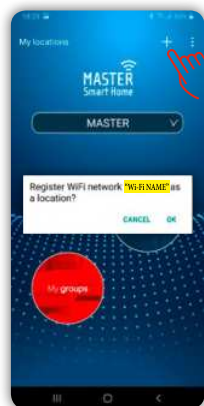
Step 2

Launch the application and tap “SIGN UP”.

Step 3

Enter your credentials, tap “OK” and follow the instructions in the activation email you received.

Create a Location



Step 4

Create easily and quickly different locations for the office or home.

* First, make sure your Smartphone or Tablet is connected to your local Wi-Fi network.

Step 4

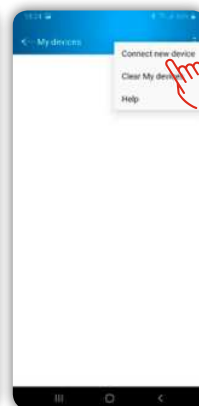
Sign in to the “MASTER Smart Home” application and press “+” to create your location.

* The name of the location that originally appears, is the name of your wireless local Wi-Fi network.

New Device Connection



Step 5



Step 6

Easily and quickly connect your smart device to your local Wi-Fi network.

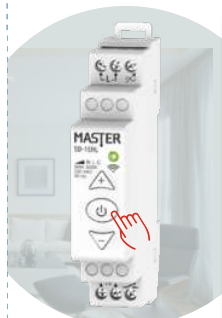
Step 5

From the app homepage, select “My Devices”.

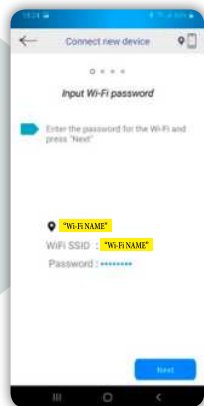
Step 6

Press “⋮” and select “Connect a new device” from the popup window.

New Device Connection



Press the control button on the SD-1CHL, 10 times repeatedly



Step 7



Step 8

Step 7

Press 10 times repeatedly the control button on the SD-1CHL rail-mounted dimmer and follow the instructions in the «MASTER Smart Home» application.

* The “SSID” field automatically displays the name of your Wi-Fi network.

Step 8

After its successful connection, the SD-1CHL rail-mounted dimmer appears in «My devices». Select the connected dimmer to operate or configure it.