

Dimmer DM - 400B (Lighting Controller) is an innovative product of digital technology Leading & Trailing Edge, specially created to fully cover the needs for regulation of lighting intensity and for energy saving, using alternative type of lamps such as LED (dimnable LED), economy lamps (dimnable CFL) and previous generation light bulbs (Resistive - Halogen).

It is a totally safe, reliable, and aesthetically shaped product made of special integrated circuits of cutting-edge technology and of resistant plastic parts for difficult conditions of operation and usage.

Control:

Input for wired remote control from one or more parallel buttons for adjusting the lighting intensity (ON / OFF by briefly pressing the button and stretch the lighting - Dimming with a long press).

Select function: Leading to Trailing Edge and conversely is accomplished by long pressing the button for more than fifteen (15) seconds.

Lowest threshold setting: DM-400B can adjust the minimum point of brightness for Dimmable LED lamps, if that is required. This process is achieved by adjusting a potentiometer (trimmer) located on the product.

ADVANTAGES

- Specially designed for LED
- Maximum number of lamps (LED Filament & LED Dimmable).
- Select function (Leading - Trailing Edge) depending on the connected load.
- Soft Start mode to protect lamps
- Adjust the lowest threshold of brightness on the LED lamps.
- Electronic protection against overheating and overvoltage with automatic reset to operational mode
- Remote control from one or more parallel connected buttons (activation - deactivation and brightness adjustment).

Installation instructions

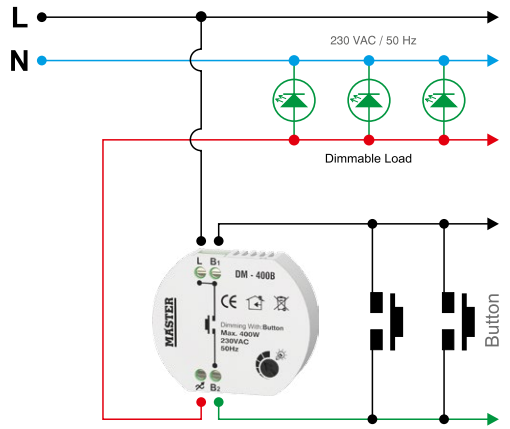
- 1) To prevent fire or electrical shock, the installation must be done by qualified personnel. Any error during installation or wrong use may cause severe accident.
- 2) Install the product according to the draft of electrical installation.
- 3) Do not install different type of loads (Capacitive - Inductive). Especially for LED lamps is recommended to use the same type.

Safety Operation Instructions

- In case of overheating or overload, the available load is automatically reduced. In order to avoid this situation:
 - Go from Leading Edge (pre-setting) to Trailing Edge as described in Select Function.
 - Reduce the number of connected loads at the output of the product.
- In case of using the product with electronic transformer, they must have indication of compatibility with semiconductor switching devices (dimmer).



DRAFT OF ELECTRICAL INSTALLATION



TECHNICAL SPECIFICATIONS

DIMMER	Digital (IGBT) - LED
FUNCTION	Soft Start
OPERATING VOLTAGE	230V AC
POWER LINE FREQUENCY	50Hz
LOAD MAX	400Watt
POWER CONSUMPTION (NO LOAD)	0,6Watt
ENVIRONMENTAL CONDITIONS	Operating temperature -20 ° C to + 50 ° C Storage temperature -20 ° C to + 60 ° C
WIRE SIZE	Flexible capacity Ø 0.5mm ² to 3.5mm ² Rigid capacity Ø 0.5mm ² to 3.5mm ²
MOUNTING	Electrical box switch ≥40mm depth
SELECT FUCTION	Leading - Trailing Edge
FUSE	Electronic protection against overheating and overvoltage
CONTROL	From one or more parallel buttons (activation - deactivation and brightness adjustment)

CONTROL LOAD

R	L	C / L			
RESISTIVE	INDUCTIVE	CAPACITIVE / INDUCTIVE / FILAMENT			
400W	400VA	400VA	400W	400W	400W
1W	1VA	1VA	1W	1W	1W

